

AC generator theory

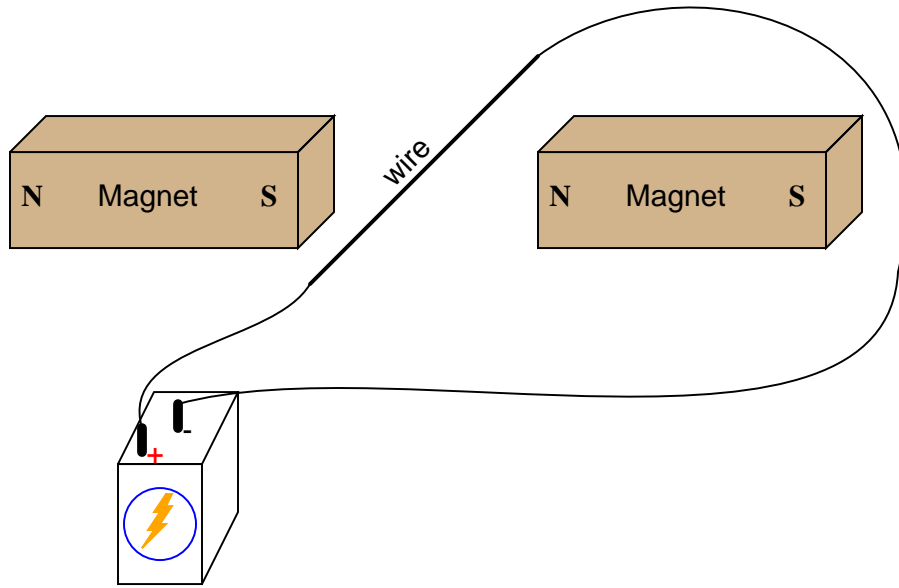
This worksheet and all related files are licensed under the Creative Commons Attribution License, version 1.0. To view a copy of this license, visit <http://creativecommons.org/licenses/by/1.0/>, or send a letter to Creative Commons, 559 Nathan Abbott Way, Stanford, California 94305, USA. The terms and conditions of this license allow for free copying, distribution, and/or modification of all licensed works by the general public.

Resources and methods for learning about these subjects (list a few here, in preparation for your research):

Questions

Question 1

If an electric current is passed through this wire, which direction will the wire be pushed (by the interaction of the magnetic fields)?

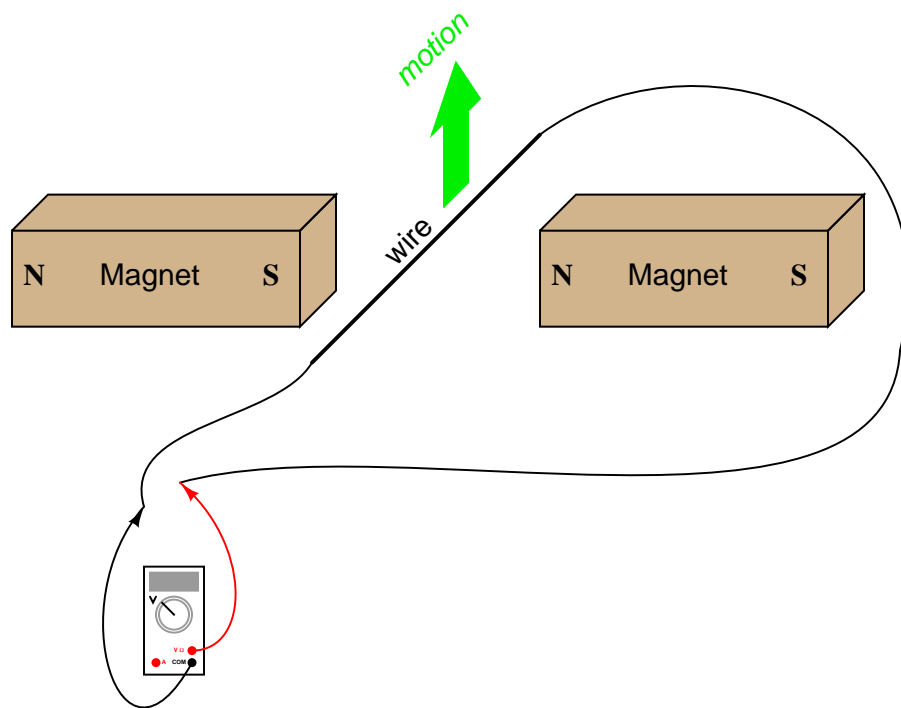


Is this an example of an electric *motor* or an electric *generator*?

file 00382

Question 2

If this wire (between the magnet poles) is moved in an upward direction, what polarity of voltage will the meter indicate?

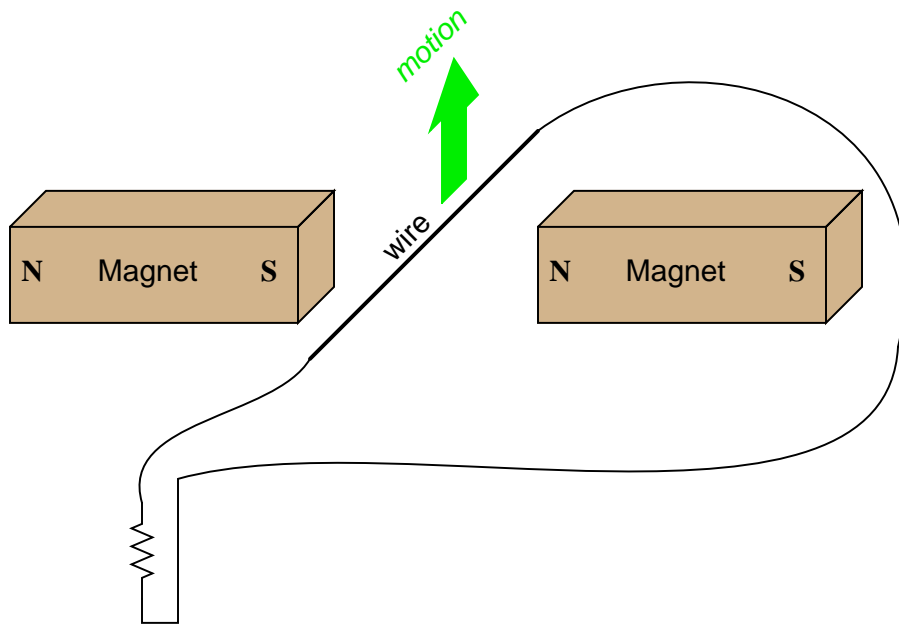


Describe the factors influencing the magnitude of the voltage induced by motion, and determine whether this is an example of an electric *motor* or an electric *generator*.

file 00806

Question 3

If this wire (between the magnet poles) is moved in an upward direction, and the wire ends are connected to a resistive load, which way will current go through the wire?

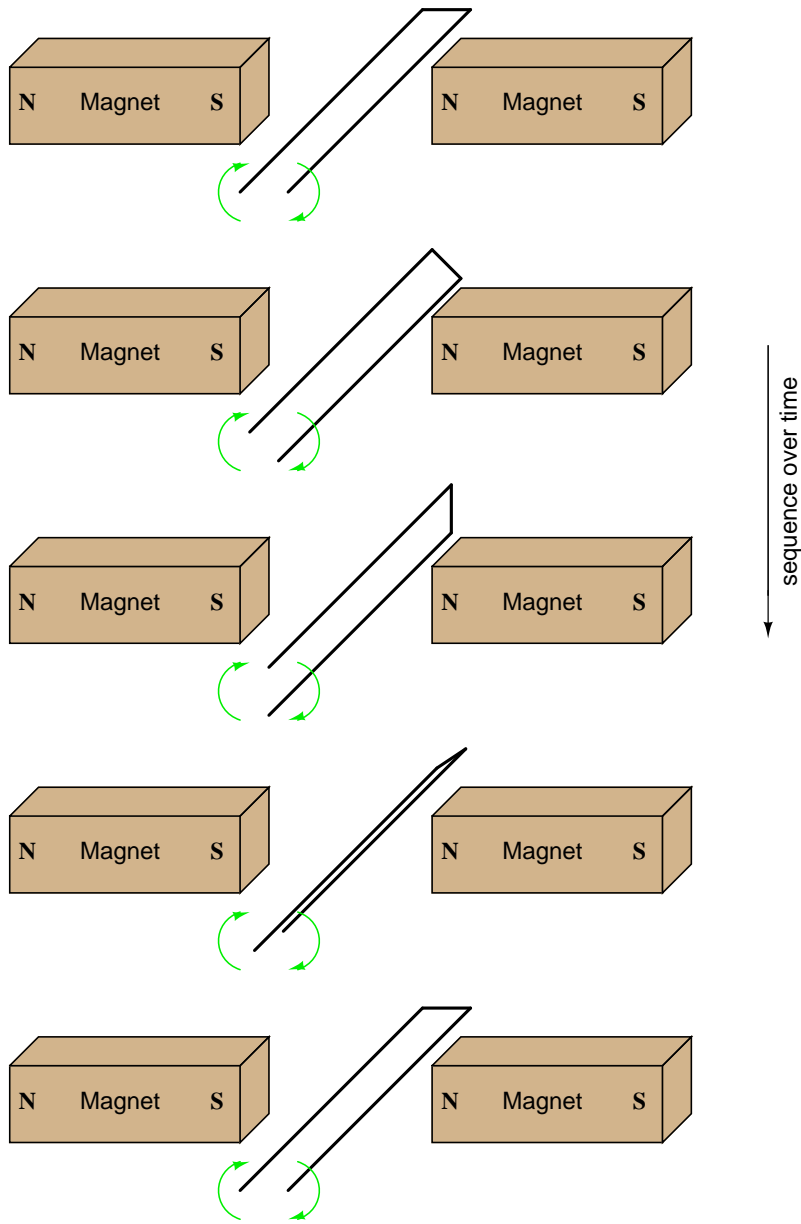


We know that current moving through a wire will create a magnetic field, and that this magnetic field will produce a reaction force against the static magnetic fields coming from the two permanent magnets. Which direction will this reaction force push the current-carrying wire? How does the direction of this force relate to the direction of the wire's motion? Does this phenomenon relate to any principle of electromagnetism you've learned so far?

[file 00807](#)

Question 4

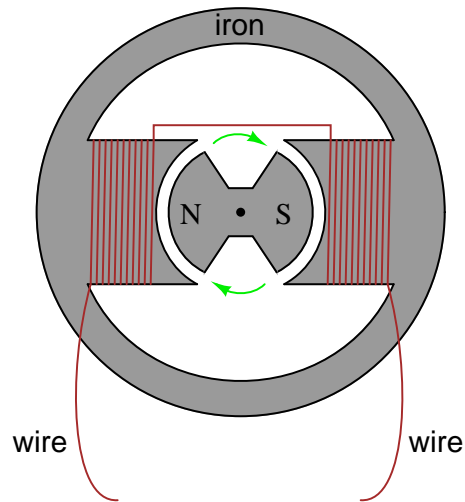
Determine the polarity of induced voltage between the ends of this wire loop, as it is rotated between the two magnets:



file 00808

Question 5

Describe the nature of the voltage induced in the stationary ("stator") windings, as the permanent magnet rotor rotates in this machine:



What factors determine the magnitude of this voltage? According to Faraday's Law, what factors can we alter to increase the voltage output by this generator?

Is the induced voltage AC or DC? How can you tell?

[file 00816](#)

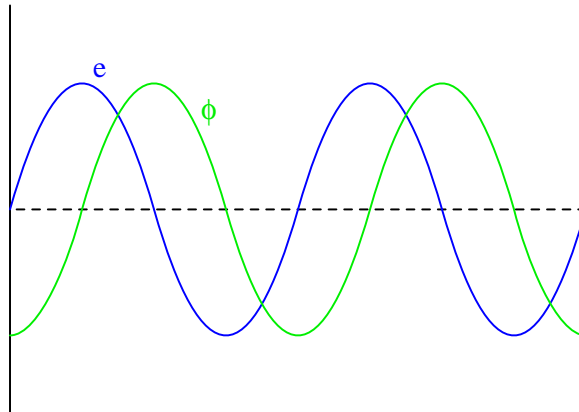
Question 6

In order to make the most practical AC generator (or *alternator*, as it is also known), which design makes more sense: a stationary permanent magnet with a rotating wire coil, or a rotating permanent magnet with a stationary wire coil? Explain your choice.

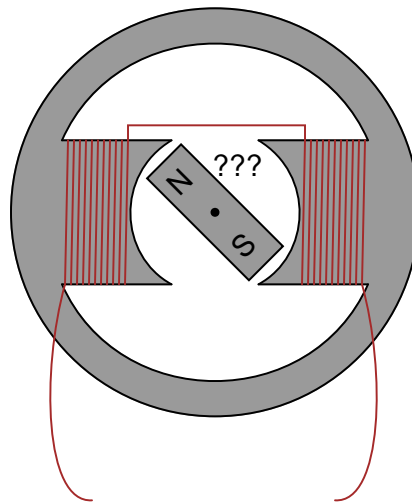
[file 00817](#)

Question 7

We know that in order to induce a sinusoidal voltage in a wire coil, the magnetic flux linking the turns of wire in the coil must follow a sinusoidal path over time, phase-shifted 90° from the voltage waveform. This relationship between flux and induced voltage is expressed in Faraday's equation $v = N \frac{d\phi}{dt}$:



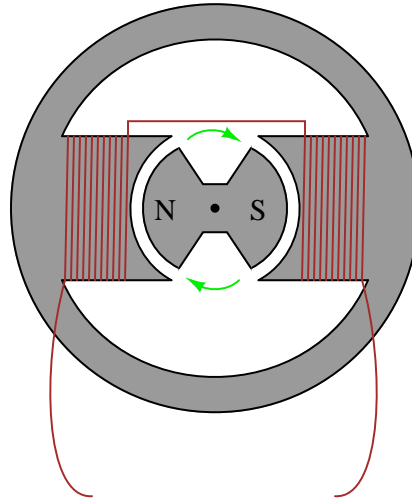
Based on this fact, draw the position of the magnetic rotor in this alternator when the voltage is at one of its peaks:



file 00818

Question 8

If this alternator is spun at 4500 RPM (revolutions per minute), what will be the frequency of its output voltage?



Hint: how many cycles of AC are produced for every revolution of the rotor?

[file 00819](#)

Question 9

How fast must a 12-pole alternator spin in order to produce 60 Hz AC power? Write a mathematical equation solving for speed (S) in terms of frequency (f) and the number of poles (N).

[file 00821](#)

Question 10

How many poles does an alternator have if it generates 400 Hz power at a shaft speed of 6000 RPM?

[file 02196](#)

Question 11

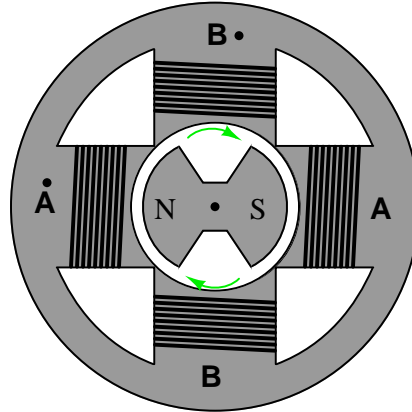
Assuming that the output frequency of an alternator must remain constant (as is the case in national power systems, where the frequency of all power plants must be the same), how may its output voltage be regulated? In other words, since we do not have the luxury of increasing or decreasing its rotational speed to control voltage, since that would change the frequency, how can we coax the alternator to produce more or less voltage on demand?

Hint: automotive alternators are manufactured with this feature, though the purpose in that application is to maintain constant voltage despite changes in engine speed. In automotive electrical systems, the frequency of the alternator's output is irrelevant because the AC is "rectified" into DC (frequency = 0 Hz) to charge the battery.

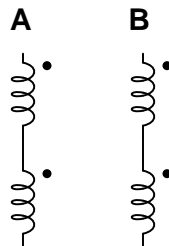
[file 00820](#)

Question 12

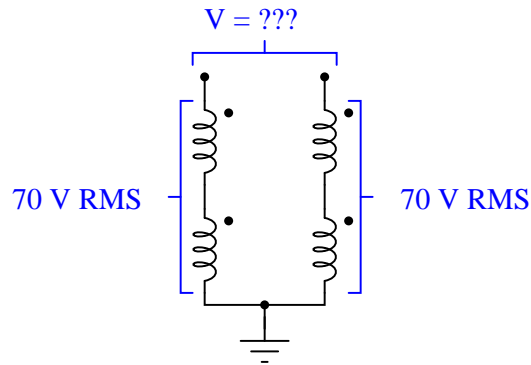
Suppose we have an alternator with two sets of windings, **A** and **B**:



Each pair of windings in each set is series-connected, so they act as just two separate windings:



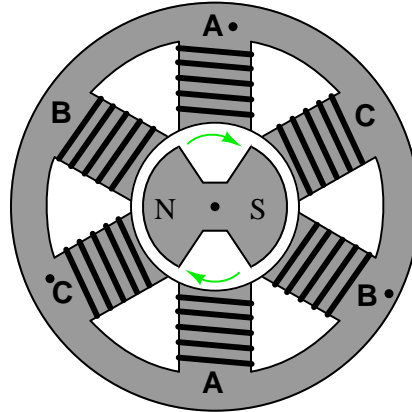
If one end of each winding pair were connected together at a common ground point, and each winding pair output 70 volts RMS, how much voltage would be measured between the open winding pair ends?



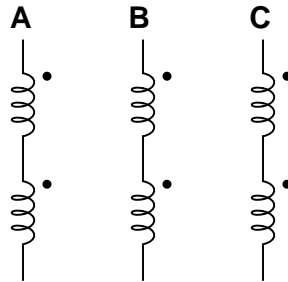
file 01886

Question 13

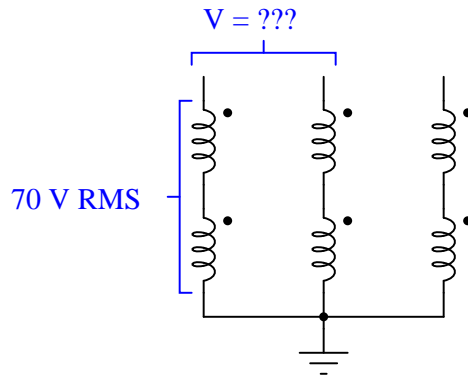
Suppose we have an alternator with three sets of windings, **A**, **B**, and **C**:



Each pair of windings in each set is series-connected, so they act as just three separate windings (pay close attention to the phase-marking dots!):



If one end of each winding pair were connected together at a common ground point, and each winding pair output 70 volts RMS, how much voltage would be measured between any two open wires?



file 01887

Answers

Answer 1

The wire will be pushed *up* in this *motor* example.

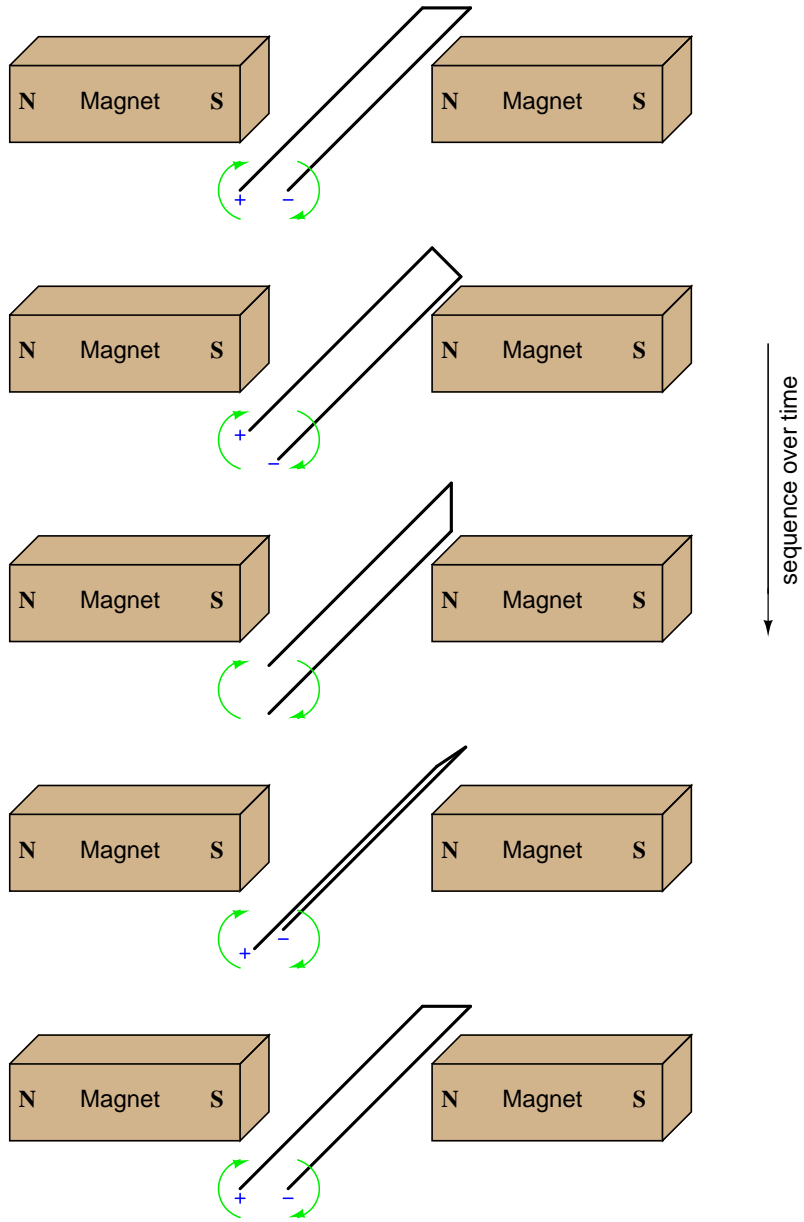
Answer 2

The voltmeter will indicate a negative voltage in this *generator* example.

Answer 3

The reaction force will be directly opposed to the direction of motion, as described by Lenz's Law.

Follow-up question: What does this phenomenon indicate to us about the ease of moving a generator mechanism under load, versus unloaded? What effect does placing an electrical load on the output terminals of a generator have on the mechanical effort needed to turn the generator?



Challenge question: if a resistor were connected between the ends of this wire loop, would it "see" direct current (DC), or alternating current (AC)?

Answer 5

Increase the $\frac{d\phi}{dt}$ rate of change, or increase the number of turns in the stator winding, to increase the magnitude of the AC voltage generated by this machine.

Follow-up question: AC generators, or *alternators* as they are sometimes called, are typically long-lived machines when operated under proper conditions. But like all machines, they will eventually fail. Based on the illustration given in the question, identify some probable modes of failure for an alternator, and what conditions might hasten such failures.

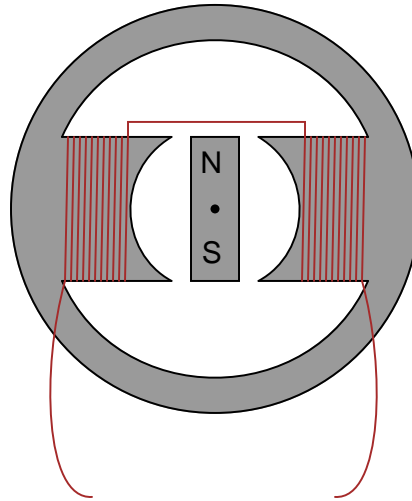
Answer 6

It is more practical by far to build an alternator with a stationary wire coil and a rotating magnet than to build one with a stationary magnet and a rotating wire coil, because a machine with a rotating coil would require some form of *brushes* and *slip rings* to conduct power from the rotating shaft to the load.

Follow-up question: what is so bad about brushes and slip rings that we want to avoid them in alternator design if possible?

Answer 7

The alternator voltage peaks when the magnetic flux is at the zero-crossover point:



(The actual magnet polarities are not essential to the answer. Without knowing which way the coils were wound and which way the rotor is spinning, it is impossible to specify an exact magnetic polarity, so if your answer had "N" facing down and "S" facing up, it's still acceptable.)

Answer 8

$$f = 75 \text{ Hz}$$

Answer 9

$$S = 600 \text{ RPM, for } f = 60 \text{ Hz.}$$

$$S = \frac{120f}{N}$$

Follow-up question: algebraically manipulate this equation to solve for the number of poles (N) needed in a generator given speed (S) and frequency (f).

Answer 10

8 poles, which is the same as 4 pole *pairs*.

Follow-up question: algebraically manipulate the speed/poles/frequency equation to solve for the frequency generated (f) given the number of poles (N) and the generator speed (S).

Answer 11

The rotor cannot be a permanent magnet, but must be an electromagnet, where we can change its magnetic field strength at will.

Follow-up question: how is it possible to conduct electric power to windings on a spinning rotor? Should we energize the rotor winding with AC or DC? Explain your answer.

Answer 12

99 volts

Hint: if you don't understand how this voltage value was calculated, plot the voltage output of the two windings as if they were shown on an oscilloscope. The *phase relationship* between the two voltages is key to the solution.

Follow-up question: draw a phasor diagram showing how the difference in potential (voltage) between the wire ends is equal to 99 volts, when each winding coil's voltage is 70 volts.

Answer 13

121.2 volts

Follow-up question: draw a phasor diagram showing how the difference in potential (voltage) between the wire ends is equal to 121.2 volts, when each winding coil's voltage is 70 volts.

Notes

Notes 1

A visual aid to understanding the interaction of the two magnetic fields is a diagram showing the lines of flux emanating from the permanent magnets, against the circular lines of flux around the wire. Ask those students who came across similar illustrations in their research to draw a picture of this on the board in front of the class, for those who have not seen it.

Notes 2

Ask your students to explain their answers regarding factors that influence voltage magnitude. Where did they obtain their information? Are there any mathematical formulae relating these factors to induced voltage?

Notes 3

If you happen to have a large, permanent magnet DC motor available in your classroom, you may easily demonstrate this principle for your students. Just have them spin the shaft of the motor (generator) with their hands, with the power terminals open versus shorted together. Your students will notice a huge difference in the ease of turning between these two states.

After your students have had the opportunity to discuss this phenomenon and/or experience it themselves, ask them why electromechanical meter movement manufacturers usually ship meters with a shorting wire connecting the two meter terminals together. In what way does a PMMC meter movement resemble an electric generator? How does shorting the terminals together help to protect against damage from physical vibration during shipping?

Ask your students to describe what factors influence the magnitude of this reaction force.

Notes 4

Note that the two wire ends switch polarity as the loop rotates. Ask your students to explain why the polarities are as they are.

Notes 5

Ask your students to write the equation for Faraday's Law on the whiteboard, and then analyze it in a qualitative sense (with variables increasing or decreasing in value) to validate the answers.

The first answer to this question (increase $\frac{d\phi}{dt}$) has been left purposefully vague, in order to make students think. What, specifically, must be changed in order to increase this rate-of-change over time? Which real-world variables are changeable after the generator has been manufactured, and which are not?

Notes 6

Answering the follow-up question may require a bit of research on the part of your students. Ask them to describe what "brushes" are and what "slip rings" are, and then the mechanical wearing aspects of these parts should become plain.

Notes 7

This question challenges students to relate the magnetic flux waveform (ϕ) to an instantaneous rotor position. The answer may come as a surprise to some, who expected maximum induced voltage to occur when the rotor is in-line with the stator poles. This answer, however, makes the mistake of confusing flux (ϕ) with rate-of-flux-change over time ($\frac{d\phi}{dt}$). A rotor lined up with the stator poles would result in maximum flux (ϕ) through those poles, but not maximum rate-of-flux-change over time ($\frac{d\phi}{dt}$).

Notes 8

Students should realize that there is one cycle of AC voltage produced for every revolution of the rotor shaft. From that point, the problem is simply a matter of unit conversions.

Notes 9

This may be especially confusing to some students, until they realize that alternator poles are always multiples of 2 (the simplest alternator having 2 poles).

Notes 10

Some references provide equations in terms of *pole pairs* instead of individual alternator poles.

Notes 11

Ask your students how this voltage regulation strategy compares with that of DC generators. Ask them to describe the difference between "commutator bars" and "slip rings."

Notes 12

This question is a good exercise of students' knowledge of phase shift, in a very practical context.

Notes 13

This question is a good exercise of students' knowledge of phase shift, in a very practical context.